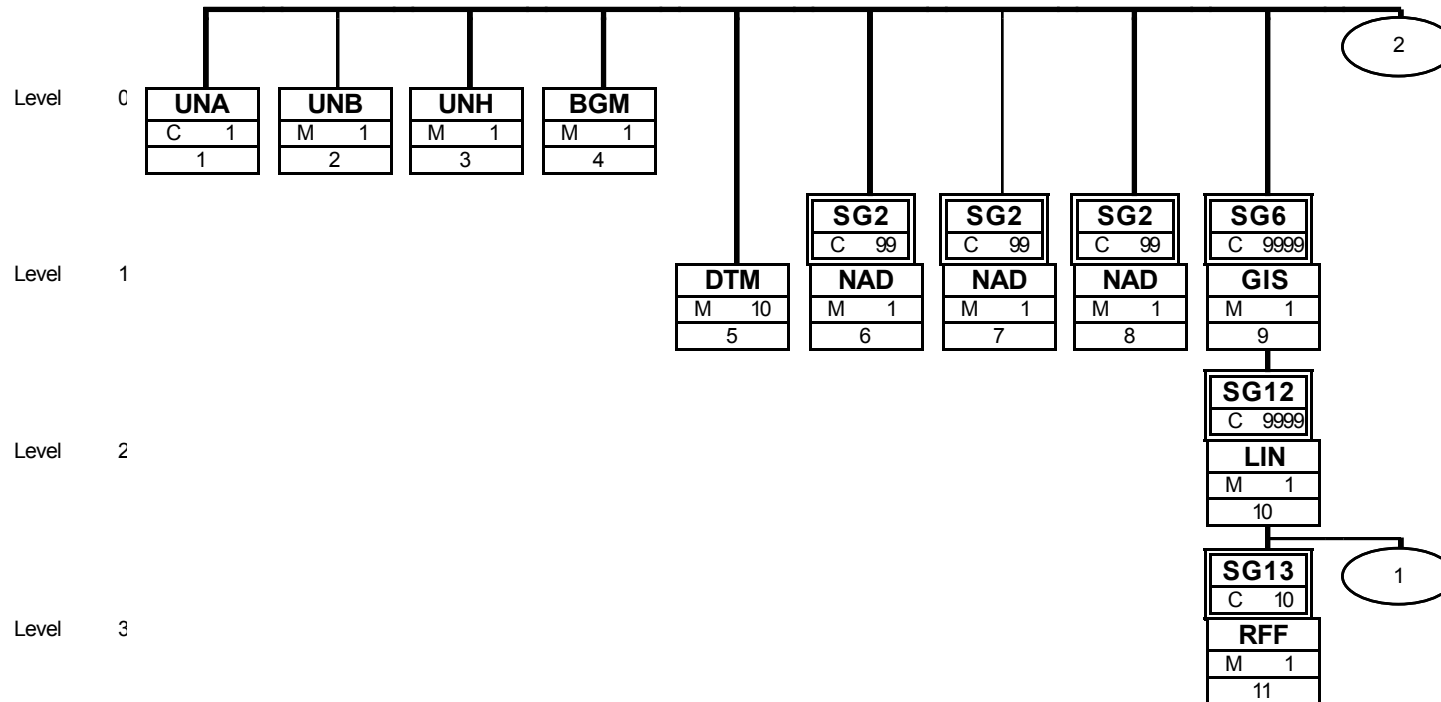
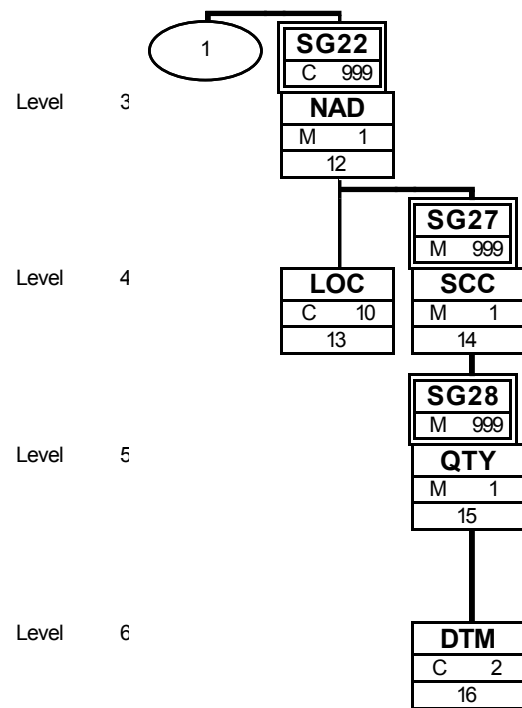


DELFOR



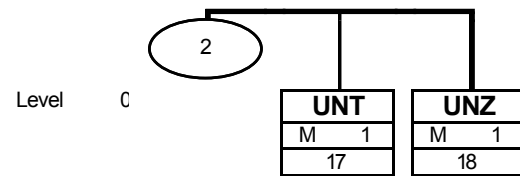
This is a branching diagram. Every variant of a segment or segment group described in the MIG appears exactly on times. The letters M and R characterise a 'mandatory' application status, whereas O means optional. The letter D is used for 'dependent' and the dependency will be described in comments. The number on the right-hand side explains the maximum occurrence of this segment or segment group. The undermost number is the consecutive number of the segment within the guide.

DELFOR



This is a branching diagram. Every variant of a segment or segment group described in the MIG appears exactly on times. The letters M and R characterise a 'mandatory' application status, whereas O means optional. The letter D is used for 'dependent' and the dependency will be described in comments. The number on the right-hand side explains the maximum occurrence of this segment or segment group. The undermost number is the consecutive number of the segment within the guide.

DELFOR



This is a branching diagram. Every variant of a segment or segment group described in the MIG appears exactly on times. The letters M and R characterise a 'mandatory' application status, whereas O means optional. The letter D is used for 'dependent' and the dependency will be described in comments. The number on the right-hand side explains the maximum occurrence of this segment or segment group. The undermost number is the consecutive number of the segment within the guide.

DELFOR

Segment: **UNH** Seq. No.: 3 Level: 0 MESSAGE HEADER
 Status: M Max. Occ.: 1

Name: MESSAGE HEADER

Description of segment:

EDIFACT			Application		
Tag	Name	St Format	St	Example	Use / Comments
0062	Message reference number	M an..14	M	+1	No. of message within file
S009	MESSAGE IDENTIFIER	M	M		
0065	Message type identifier	M an..6	M	+DELFOR	<i>DELFOR = Calloff/Delivery Schedule</i>
0052	Message type version number	M an..3	M	:D	
0054	Message type release number	M an..3	M	:97A	
0051	Controlling agency	M an..2	M	:UN'	
0057	Association assigned code	C an..6	N		
0068	Common access reference	C an..35	N		
S010	STATUS OF THE TRANSFER	C	N		
0070	Sequence message transfer number	M n..2	N		
0073	First/last sequence message transfer indication	C a1	N		

Comment:

Example:

UNH+1+DELFOR:D:97A:UN'

DELFOR

Segment: **BGM** Seq. No.: 4 Level: 0 **BEGINNING OF MESSAGE**
 Status: M Max. Occ.: 1

Name: **BEGINNING OF MESSAGE**

Description of segment:

EDIFACT			Application		
Tag	Name	St Format	St	Example	Use / Comments
C002	DOCUMENT/MESSAGE NAME	C	C		
1001	Document/message name, coded	C an..3	C	+241	<i>241 = Calloff/Delivery Schedule</i>
1131	Code list qualifier	C an..3	N		
3055	Code list responsible agency, coded	C an..3	N		
1000	Document/message name	C an..35	N		
C106	DOCUMENT/MESSAGE IDENTIFICATION	C	C		
1004	Document/message number	C an..35	C	+1234'	Transmission Number
1056	Version	C an..9	N		
1060	Revision number	C an..6	N		
1225	Message function, coded	C an..3	N		
4343	Response type, coded	C an..3	N		

Comment:

Example:
 BGM+241+1234'

DELFOR

Segment: **DTM** Seq. No.: 5 Level: 1 DATE/TIME/PERIOD
 Status: M Max. Occ.: 10

Name: DATE/TIME/PERIOD

Description of segment:

EDIFACT			Application		
Tag	Name	St Format	St	Example	Use / Comments
C507	DATE/TIME/PERIOD	M	M		
2005	Date/time/period qualifier	M an..3	M	+137	<i>137 = Date/Time of Message/Document</i>
2380	Date/time/period	C an..35	C	:20050624	Transmission Date
2379	Date/time/period format qualifier	C an..3	C	:102'	<i>102 = YYYYMMDD</i>

Comment:

Example:
 DTM+137:20050624:102'

DELFOR

Group: **SG2** Status: C Max. Occ.: 99 NAD

Segment: **NAD** Seq. No.: 6 Level: 1 NAME AND ADDRESS
 Status: M Max. Occ.: 1

Name: NAME AND ADDRESS

Description of segment:

EDIFACT			Application		
Tag	Name	St Format	St	Example	Use / Comments
3035	Party qualifier	M an..3	M	+BY	<i>BY = Buyer</i>
C082	PARTY IDENTIFICATION DETAILS	C	C		
3039	Party id. identification	M an..35	M	+KOSTAL	Identification of the Customer
1131	Code list qualifier	C an..3	N	:	
3055	Code list responsible agency, coded	C an..3	C	:91'	
C058	NAME AND ADDRESS	C	N		
3124	Name and address line	M an..35	N		
3124	Name and address line	C an..35	N		
3124	Name and address line	C an..35	N		
3124	Name and address line	C an..35	N		
3124	Name and address line	C an..35	N		
3124	Name and address line	C an..35	N		
C080	PARTY NAME	C	N		
3036	Party name	M an..35	N		
3036	Party name	C an..35	N		
3036	Party name	C an..35	N		
3036	Party name	C an..35	N		
3036	Party name	C an..35	N		
3045	Party name format, coded	C an..3	N		
C059	STREET	C	N		
3042	Street and number/p.o. box	M an..35	N		
3042	Street and number/p.o. box	C an..35	N		
3042	Street and number/p.o. box	C an..35	N		
3042	Street and number/p.o. box	C an..35	N		
3164	City name	C an..35	N		
3229	Country sub-entity identification	C an..9	N		
3251	Postcode identification	C an..9	N		
3207	Country, coded	C an..3	N		

Comment:

Example:

NAD+BY+KOSTAL:::91'

DELFOR

Group: **SG2** Status: C Max. Occ.: 99 NAD

Segment: **NAD** Seq. No.: 7 Level: 1 NAME AND ADDRESS
 Status: M Max. Occ.: 1

Name: NAME AND ADDRESS

Description of segment:

EDIFACT			Application		
Tag	Name	St Format	St	Example	Use / Comments
3035	Party qualifier	M an..3	M	+DP	<i>DP = Delivery Party</i>
C082	PARTY IDENTIFICATION DETAILS	C	C		
3039	Party id. identification	M an..35	M	+0001	No. of Ship-to-Party
1131	Code list qualifier	C an..3	N	:	
3055	Code list responsible agency, coded	C an..3	C	:92	
C058	NAME AND ADDRESS	C	C		
3124	Name and address line	M an..35	M	+LEOPOLD KOSTAL GMBH & CO. KG'	
3124	Name and address line	C an..35	N		
3124	Name and address line	C an..35	N		
3124	Name and address line	C an..35	N		
3124	Name and address line	C an..35	N		
C080	PARTY NAME	C	N		
3036	Party name	M an..35	N		
3036	Party name	C an..35	N		
3036	Party name	C an..35	N		
3036	Party name	C an..35	N		
3036	Party name	C an..35	N		
3045	Party name format, coded	C an..3	N		
C059	STREET	C	N		
3042	Street and number/p.o. box	M an..35	N		
3042	Street and number/p.o. box	C an..35	N		
3042	Street and number/p.o. box	C an..35	N		
3042	Street and number/p.o. box	C an..35	N		
3164	City name	C an..35	N		
3229	Country sub-entity identification	C an..9	N		
3251	Postcode identification	C an..9	N		
3207	Country, coded	C an..3	N		

Comment:

Example:

NAD+DP+0001::92+LEOPOLD KOSTAL GMBH & CO. KG'

DELFOR

Group: **SG2** Status: C Max. Occ.: 99 NAD

Segment: **NAD** Seq. No.: 8 Level: 1 NAME AND ADDRESS
 Status: M Max. Occ.: 1

Name: NAME AND ADDRESS

Description of segment:

EDIFACT			Application		
Tag	Name	St Format	St	Example	Use / Comments
3035	Party qualifier	M an..3	M	+SE	<i>Code SE = Seller</i>
C082	PARTY IDENTIFICATION DETAILS	C	C		
3039	Party id. identification	M an..35	M	+812345	Supplier Code
1131	Code list qualifier	C an..3	N	:	
3055	Code list responsible agency, coded	C an..3	C	:92	
C058	NAME AND ADDRESS	C	C		
3124	Name and address line	M an..35	M	+LIEFERANT GMBH & CO. KG'	
3124	Name and address line	C an..35	N		
3124	Name and address line	C an..35	N		
3124	Name and address line	C an..35	N		
3124	Name and address line	C an..35	N		
C080	PARTY NAME	C	N		
3036	Party name	M an..35	N		
3036	Party name	C an..35	N		
3036	Party name	C an..35	N		
3036	Party name	C an..35	N		
3036	Party name	C an..35	N		
3045	Party name format, coded	C an..3	N		
C059	STREET	C	N		
3042	Street and number/p.o. box	M an..35	N		
3042	Street and number/p.o. box	C an..35	N		
3042	Street and number/p.o. box	C an..35	N		
3042	Street and number/p.o. box	C an..35	N		
3164	City name	C an..35	N		
3229	Country sub-entity identification	C an..9	N		
3251	Postcode identification	C an..9	N		
3207	Country, coded	C an..3	N		

Comment:

Example:

NAD+SE+812345.:92+LIEFERANT GMBH & CO. KG'

DELFOR

Group: **SG6** Status: C Max. Occ.: 9999 GIS-SG12

Segment: **GIS** Seq. No.: 9 Level: 1 **GENERAL INDICATOR**
 Status: M Max. Occ.: 1

Name: **GENERAL INDICATOR**

Description of segment:

EDIFACT			Application		
Tag	Name	St Format	St	Example	Use / Comments
C529	PROCESSING INDICATOR	M	M		
7365	Processing indicator, coded	M an..3	M	+37'	
1131	Code list qualifier	C an..3	N		
3055	Code list responsible agency, coded	C an..3	N		
7187	Process type identification	C an..17	N		

Comment:

Example:
 GIS+37'

DELFOR

Group:	SG6	Status: C	Max. Occ.: 9999	GIS-SG12
Group:	SG12	Status: C	Max. Occ.: 9999	LIN-SG13-SG22
Group:	SG13	Status: C	Max. Occ.: 10	RFF
Segment:	RFF	Seq. No.: 11 Status: M	Level: 3 Max. Occ.: 1	REFERENCE

Name: REFERENCE

Description of segment:

EDIFACT			Application		
Tag	Name	St Format	St	Example	Use / Comments
C506	REFERENCE	M	M		
1153	Reference qualifier	M an..3	M	+CT	<i>CT = Contract number</i> No. of the Scheduling Agreement, followed by 2-digit item no.
1154	Reference number	C an..35	C	: 554000000 210'	
1156	Line number	C an..6	N		
4000	Reference version number	C an..35	N		

Comment:

Example:

RFF+CT:554000000210'

DELFOR

Group:	SG6	Status: C	Max. Occ.: 9999	GIS-SG12
Group:	SG12	Status: C	Max. Occ.: 9999	LIN-SG13-SG22
Group:	SG22	Status: C	Max. Occ.: 999	NAD-LOC-SG27
Segment:	NAD	Seq. No.: 12 Status: M	Level: 3 Max. Occ.: 1	NAME AND ADDRESS

Name: NAME AND ADDRESS

Description of segment:

EDIFACT			Application		
Tag	Name	St Format	St	Example	Use / Comments
3035	Party qualifier	M an..3	M	+ST	ST = Ship-To-Party
C082	PARTY IDENTIFICATION DETAILS	C	C		
3039	Party id. identification	M an..35	M	+001	Plant Code
1131	Code list qualifier	C an..3	N	:	
3055	Code list responsible agency, coded	C an..3	C	:92'	
C058	NAME AND ADDRESS	C	N		
3124	Name and address line	M an..35	N		
3124	Name and address line	C an..35	N		
3124	Name and address line	C an..35	N		
3124	Name and address line	C an..35	N		
3124	Name and address line	C an..35	N		
C080	PARTY NAME	C	N		
3036	Party name	M an..35	N		
3036	Party name	C an..35	N		
3036	Party name	C an..35	N		
3036	Party name	C an..35	N		
3036	Party name	C an..35	N		
3045	Party name format, coded	C an..3	N		
C059	STREET	C	N		
3042	Street and number/p.o. box	M an..35	N		
3042	Street and number/p.o. box	C an..35	N		
3042	Street and number/p.o. box	C an..35	N		
3042	Street and number/p.o. box	C an..35	N		
3164	City name	C an..35	N		
3229	Country sub-entity identification	C an..9	N		
3251	Postcode identification	C an..9	N		
3207	Country, coded	C an..3	N		

Comment:

Example:

NAD+ST+001::92'

DELFOR

Group:	SG6	Status: C	Max. Occ.: 9999	GIS-SG12
Group:	SG12	Status: C	Max. Occ.: 9999	LIN-SG13-SG22
Group:	SG22	Status: C	Max. Occ.: 999	NAD-LOC-SG27
Segment:	LOC	Seq. No.: 13 Status: C	Level: 4 Max. Occ.: 10	PLACE/LOCATION IDENTIFICATION

Name: PLACE/LOCATION IDENTIFICATION

Description of segment:

EDIFACT			Application		
Tag	Name	St Format	St	Example	Use / Comments
3227	Place/location qualifier	M an..3	M	+11	Unloading Point
C517	LOCATION IDENTIFICATION	C	C		
3225	Place/location identification	C an..25	C	+11570'	
1131	Code list qualifier	C an..3	N		
3055	Code list responsible agency, coded	C an..3	N		
3224	Place/location	C an..70	N		
C519	RELATED LOCATION ONE IDENTIFICATION	C	N		
3223	Related place/location one identification	C an..25	N		
1131	Code list qualifier	C an..3	N		
3055	Code list responsible agency, coded	C an..3	N		
3222	Related place/location one	C an..70	N		
C553	RELATED LOCATION TWO IDENTIFICATION	C	N		
3233	Related place/location two identification	C an..25	N		
1131	Code list qualifier	C an..3	N		
3055	Code list responsible agency, coded	C an..3	N		
3232	Related place/location two	C an..70	N		
5479	Relation, coded	C an..3	N		

Comment:

Example:

LOC+11+11570'

DELFOR

Group:	SG6	Status: C	Max. Occ.: 9999	GIS-SG12
Group:	SG12	Status: C	Max. Occ.: 9999	LIN-SG13-SG22
Group:	SG22	Status: C	Max. Occ.: 999	NAD-LOC-SG27
Group:	SG27	Status: M	Max. Occ.: 999	SCC-SG28
Segment:	SCC	Seq. No.: 14 Status: M	Level: 4 Max. Occ.: 1	SCHEDULING CONDITIONS

Name: SCHEDULING CONDITIONS

Description of segment:

EDIFACT			Application		
Tag	Name	St Format	St	Example	Use / Comments
4017	Delivery plan status indicator, coded	M an..3	M	+4'	4 = Forecast
4493	Delivery requirements, coded	C an..3	N		
C329	PATTERN DESCRIPTION	C	N		
2013	Frequency, coded	C an..3	N		
2015	Despatch pattern, coded	C an..3	N		
2017	Despatch pattern timing, coded	C an..3	N		

Comment:

Example:
SCC+4'

DELFOR

Group: **SG6** Status: C Max. Occ.: 9999 GIS-SG12
Group: **SG12** Status: C Max. Occ.: 9999 LIN-SG13-SG22
Group: **SG22** Status: C Max. Occ.: 999 NAD-LOC-SG27
Group: **SG27** Status: M Max. Occ.: 999 SCC-SG28
Group: **SG28** Status: M Max. Occ.: 999 QTY-DTM
Segment: **DTM** Seq. No.: 16 Level: 6 **DATE/TIME/PERIOD**
 Status: C Max. Occ.: 2

Name: DATE/TIME/PERIOD

Description of segment:

EDIFACT			Application		
Tag	Name	St Format	St	Example	Use / Comments
C507	DATE/TIME/PERIOD	M	M		
2005	Date/time/period qualifier	M an..3	M	+2	2 = <i>Delivery Date/Time</i>
2380	Date/time/period	C an..35	C	:20050522	
2379	Date/time/period format qualifier	C an..3	C	:102'	102 = <i>YYYYMMDD</i>

Comment:

Example:

DTM+2:20050522:102'

DELFOR

Segment: **UNT** Seq. No.: 17 Level: 0 MESSAGE TRAILER
 Status: M Max. Occ.: 1

Name: MESSAGE TRAILER

Description of segment:

EDIFACT			Application		
Tag	Name	St Format	St	Example	Use / Comments
0074	Number of segments in a message	M n..6	M	+15	
0062	Message reference number	M an..14	M	+1'	

Comment:

Example:
 UNT+15+1'

DELFOR

Example message

No.	Tag	Example
01	UNA	UNA:+.? '
02	UNB	UNB+UNOA:2+KOSTAL::LK+LIEFERANT+050620:1557+00001++DELFOR'
03	UNH	UNH+1+DELFOR:D:97A:UN'
04	BGM	BGM+241+1234'
05	DTM	DTM+137:20050624:102'
	SG2	
06	NAD	NAD+BY+KOSTAL::91'
	SG2	
07	NAD	NAD+DP+0001::92+LEOPOLD KOSTAL GMBH & CO. KG'
	SG2	
08	NAD	NAD+SE+812345::92+LIEFERANT GMBH & CO. KG'
	SG6	
09	GIS	GIS+37'
	SG12	
10	LIN	LIN+10++42112401459001-00:BP::91'
	SG13	
11	RFF	RFF+CT:554000000210'
	SG22	
12	NAD	NAD+ST+001::92'
13	LOC	LOC+11+11570'
	SG27	
14	SCC	SCC+4'
	SG28	
15	QTY	QTY+1:1000:PCE'
16	DTM	DTM+2:20050522:102'
17	UNT	UNT+15+1'
18	UNZ	UNZ+1+00001'